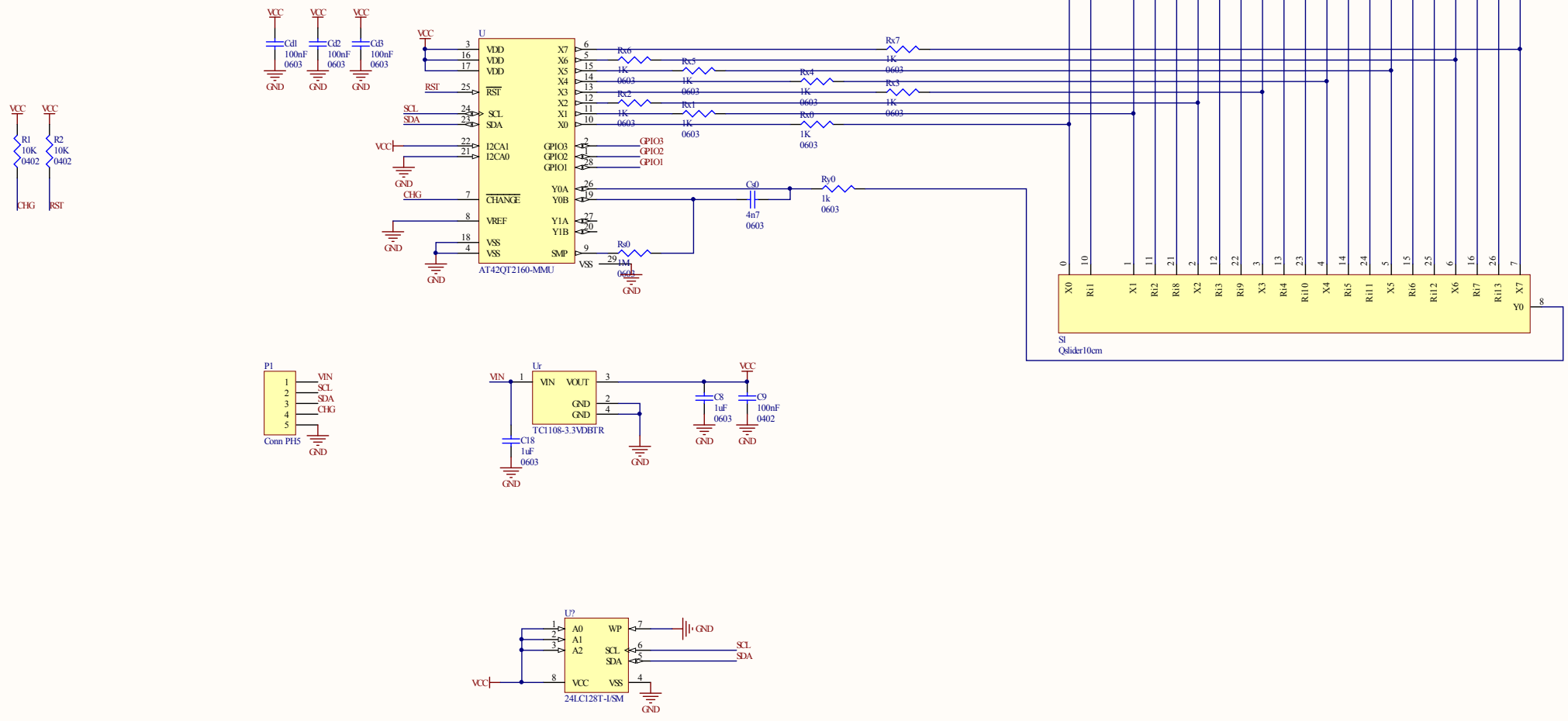


A  
B  
C  
D

A  
B  
C  
D



|                                       |  |            |
|---------------------------------------|--|------------|
| Title <b>AT42QT2160 Slider Sensor</b> |  |            |
| Size A3                               | Number <a href="http://pickandplace.wordpress.com">http://pickandplace.wordpress.com</a> | Revision 1 |
| Date: 1/19/2015                       | Sheet 1 of 1   |            |
| File: C:\Altium\Slider\Slider.SchDoc  | Drawn By: Jean Wlodarski   |            |

